
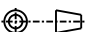
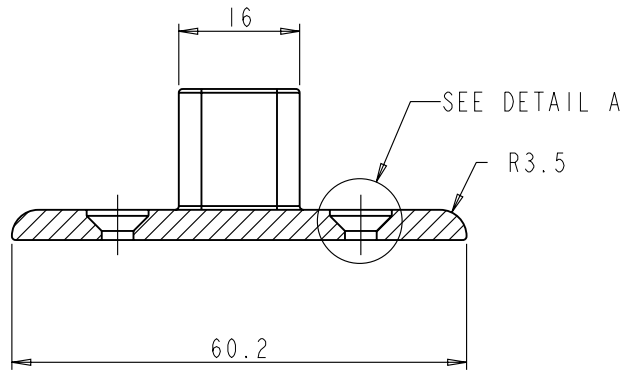


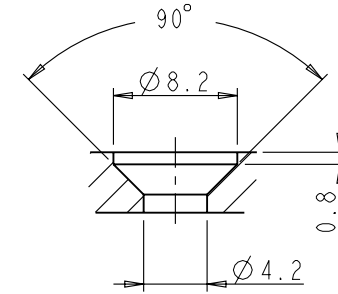
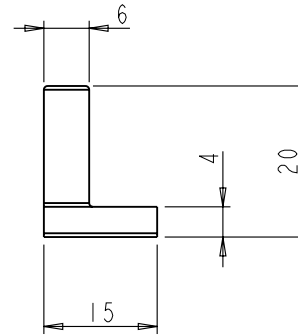
Note:
1. Color: White

BILLS OF MATERIAL :

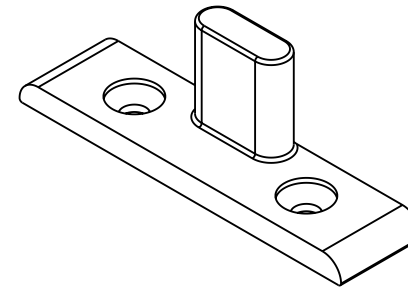
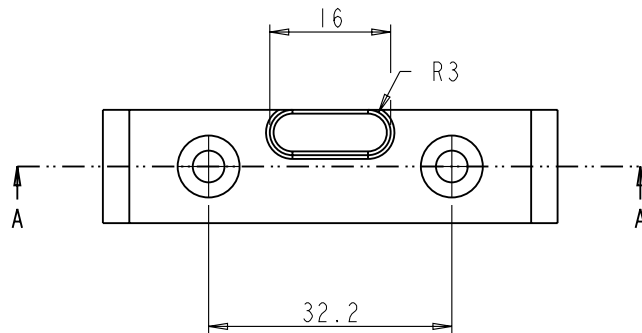
| 2 | LOCKER | PC | I | 5.50 | 5.50 | PART | I |
|--|--------|---------------|---------------------------|-----------|-----------|--|------------|
| 1 | BASE | PC | I | 5.50 | 5.50 | PART | I |
| NO. | ITEM# | MATERIAL | QTY | UNIT | TOTLE | TYPE | ASSY LEVEL |
| | | | | WEIGHT | | | |
|  | | ITEM#: 200-K2 | | MATERIAL: | | | |
| PROPRIETARY AND CONFIDENTIAL THE INFORMATION CONTAINED IN THIS DRAWING IS THE SOLE PROPERTY OF HARDWARE RESOURCES INC. ANY REPRODUCTION IN PART OR AS A WHOLE WITHOUT THE WRITTEN PERMISSION OF HARDWARE RESOURCES INC. IS PROHIBITED. | | FINISH: | | WEIGHT: | | PROJECTION  | |
| TOLERANCE UNLESS OTHERWISE SPECIFIED: X ±0.20 X.X ±0.10 X.XX ±0.05 ANGULAR: ±0.5° DO NOT SCALE DRAWING | | UNITS: | DRAWN BY: <i>alan.liu</i> | | DATE: | | |
| | | SIZE: | APPROVED BY: | | DATE: | | |
| | | SHEET: | RELEASE LEVEL: | | REVISION: | | |



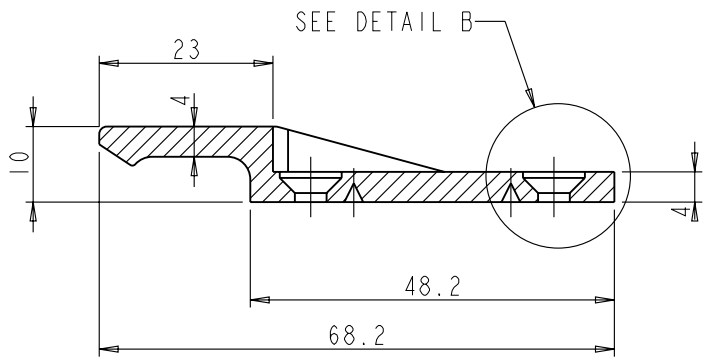
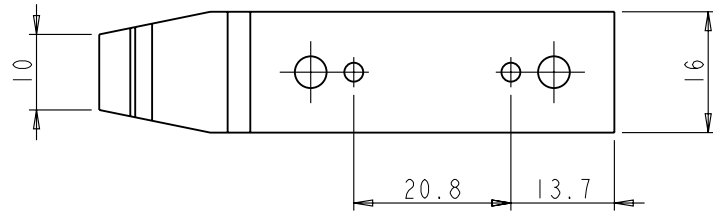
SECTION A-A



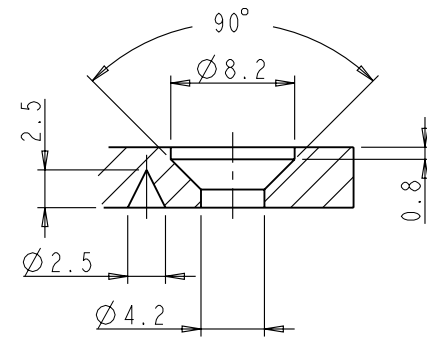
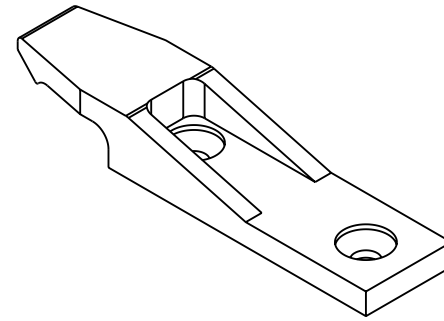
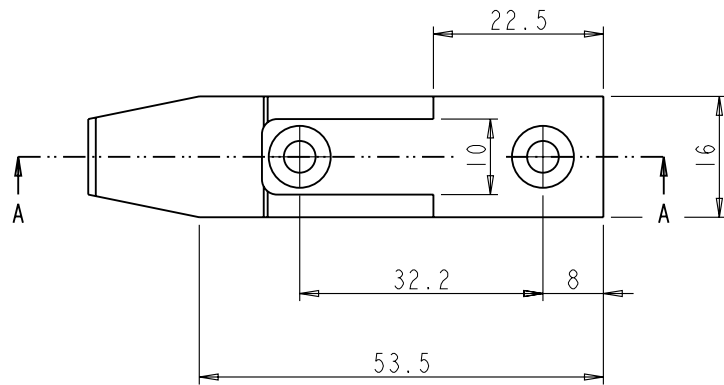
DETAIL A
SCALE 2:1



| | | | |
|---|---|---------------------------|-----------|
| <p>PROPRIETARY AND CONFIDENTIAL</p> <p>THE INFORMATION CONTAINED IN THIS DRAWING IS THE SOLE PROPERTY OF HARDWARE RESOURCES INC. ANY REPRODUCTION IN PART OR AS A WHOLE WITHOUT THE WRITTEN PERMISSION OF HARDWARE RESOURCES INC. IS PROHIBITED.</p> <p>DO NOT SCALE DRAWING</p> | ITEM#: BASE | MATERIAL: PC | |
| | FINISH: | WEIGHT: 5.50 g | |
| | TOLERANCE UNLESS OTHERWISE SPECIFIED: X ±0.20 X.X ±0.10 X.XX ±0.05 ANGULAR: ±0.5° | PROJECTION | |
| | UNITS: MM | DRAWN BY: <i>alan.liu</i> | DATE: |
| | SIZE: | APPROVED BY: | DATE: |
| | SHEET: | RELEASE LEVEL: | REVISION: |



SECTION A-A



DETAIL B
SCALE 2:1

| | | | | | |
|---|---|----------------|----------------|---------------------------|--|
| <p>PROPRIETARY AND CONFIDENTIAL</p> <p>THE INFORMATION CONTAINED IN THIS DRAWING IS THE SOLE PROPERTY OF HARDWARE RESOURCES INC. ANY REPRODUCTION IN PART OR AS A WHOLE WITHOUT THE WRITTEN PERMISSION OF HARDWARE RESOURCES INC. IS PROHIBITED.</p> <p>DO NOT SCALE DRAWING</p> | ITEM#: LOCKER | | MATERIAL: PC | | |
| | FINISH: | | WEIGHT: 5.50 g | | |
| | TOLERANCE UNLESS OTHERWISE SPECIFIED: X ±0.20 X.X ±0.10 X.XX ±0.05 ANGULAR: ±0.5° | | UNITS: MM | DRAWN BY: <i>alan.liu</i> | |
| | SIZE: | | APPROVED BY: | DATE: | |
| SHEET: | | RELEASE LEVEL: | REVISION: | | |